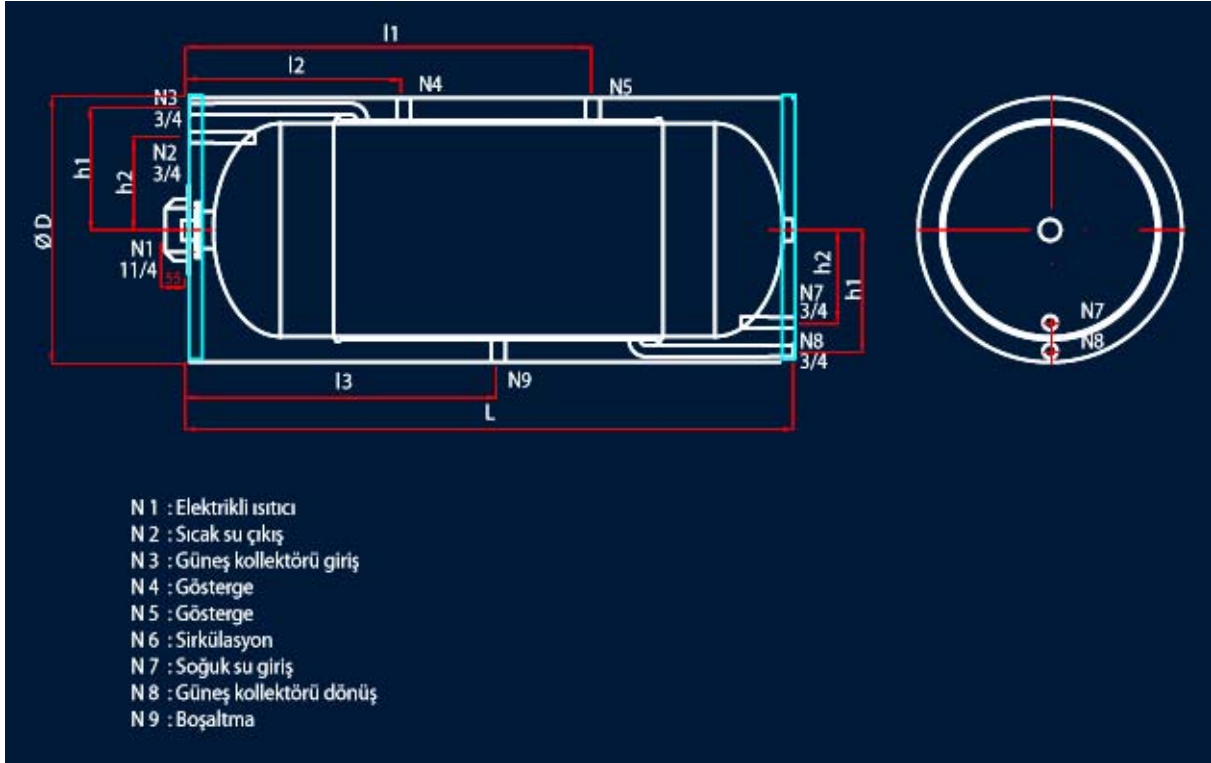


## KODSAN KSC Serisi Cidarlı Boyler



### BOYUT TABLOSU

TİP	85	100	170	200	250	300
Ø D (mm)	510	510	510	600	600	600
L (mm)	887	1090	1627	1373	1583	2060
l1 (mm)	459	780	1179	917	1132	1780
l2 (mm)	-	340	479	487	452	1340
l3 (mm)	459	550	829	702	792	290
h1 (mm)	224	224	224	274	274	274
h2 (mm)	150	150	150	210	210	210
N4 (inch)	1/2	1/2	1/2	3/4	3/4	3/4
N5 (inch)	1/2	1/2	1/2	3/4	3/4	3/4
N9 (inch)	1/2	1/2	1/2	3/4	3/4	3/4
Susuz Ağırlık (kg)	47	56	79	86	94	106